

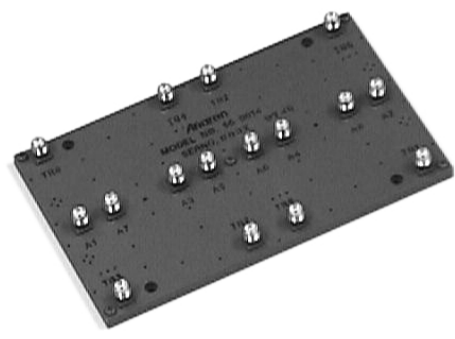


Model 560014

Antenna Feed Matrices 8 x 8 Butler

Applications

- Power Amplifiers
- Sectorize Base Station Transmissions
- Beam Forming
- Wireless Infrastructure
- GSM and AMPS Frequencies



Features

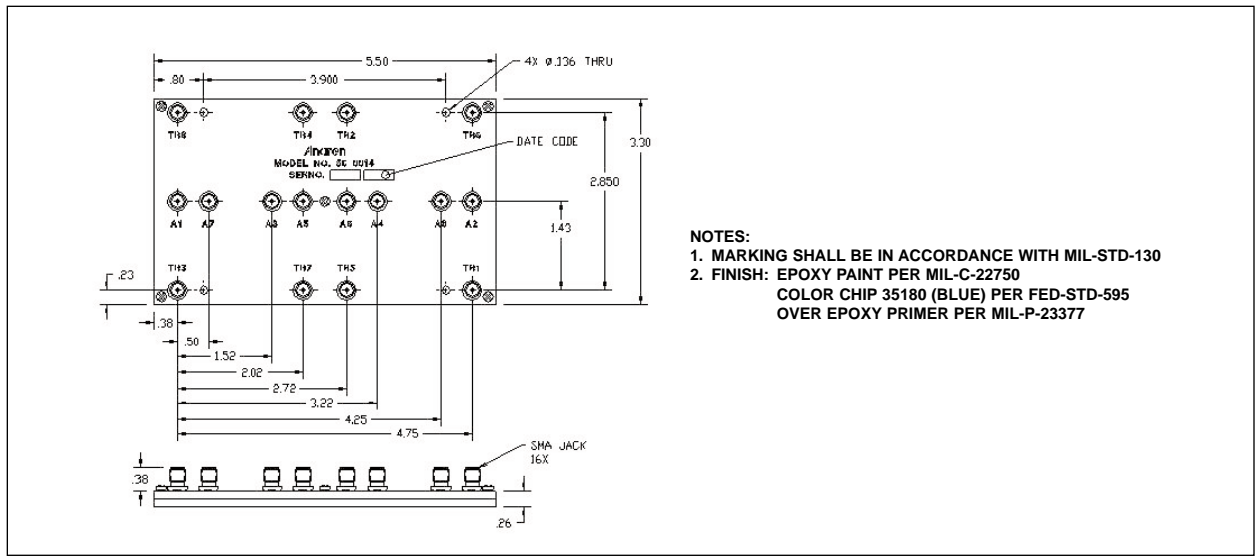
- Commercial Grade
- Low Cost
- Flush Mounting
- Lightweight
- 100% Tested

Electrical Specifications

Type	Frequency GHz	Isolation dB Min	Insertion Loss dB Max
Butler	0.8 - 0.9	20	1.1
VSWR Max : 1	Amp. Bal. dB Peak	Phase Bal. Degrees Peak	Connectors
1.25	±0.90	±7.0	SMA

Notes: Impedance: 50 ohms nominal. Meets MIL-E-5400 Class 3 requirements. Additional screening available for military and space applications.
Electrical and Mechanical Specifications subject to change without notice.

Outline Drawing



- NOTES:**
1. MARKING SHALL BE IN ACCORDANCE WITH MIL-STD-130
 2. FINISH: EPOXY PAINT PER MIL-C-22750
 COLOR CHIP 35180 (BLUE) PER FED-STD-595
 OVER EPOXY PRIMER PER MIL-P-23377